



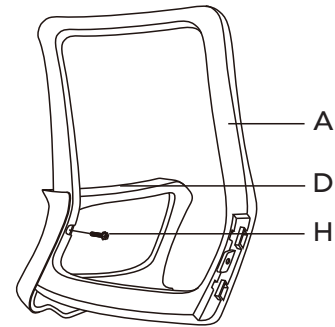
Song Mid Back Upholstered Seat - S140  
 Song High Back Upholstered Seat - S145

Your carton will contain:

<b>A</b> Backrest 1PC		<b>B</b> Seat 1PC		<b>C</b> Control 1PC		<b>D</b> Arms 2PCS		<b>E</b> Base 1PC	
<b>F</b> Casters 5PCS		<b>G</b> Gaslift 1PC		<b>H</b> Armrest/control bolt (M6 x 20mm) 6PCS		<b>I</b> Armrest to seat bolt (M6 x 20mm) 4PCS		<b>J</b> Allen key 1PC	
<b>K</b> Plastic Washer 4PCS		<b>L</b> Headrest (S145 only) 1PC		<b>M</b> Headrest clip (S145 only) 1PC		<b>N</b> Headrest screw (S145 only) 2PCS		Tools required for S145 - phillips head screwdriver	

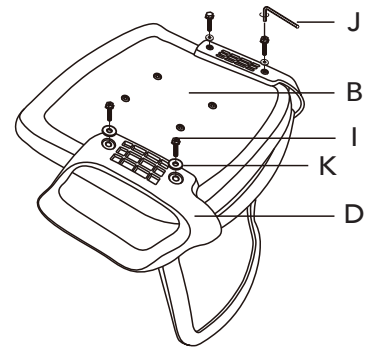
### Step 1 - Attach arms to back

Attach the arms (D) to the backrest (A) with an armrest/control bolt (H) for each armrest. Fasten using the provided allen key (J).



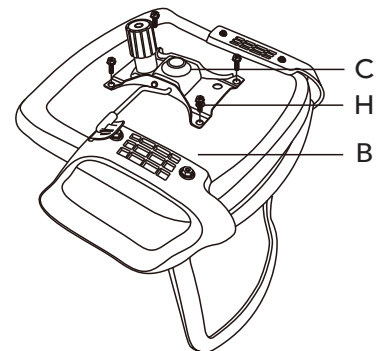
### Step 2 - Secure seat to arms

Attach the seat (B) to the arms (D) with four armrest to seat bolts (I) and four plastic washers (K). Fasten using the provided allen key (J).



### Step 3 - Secure control to seat

Attach the control (C) to the bottom of the seat (B) with four armrest/control bolts (H). Label on chair bottom indicates front of the chair. Fasten using the provided allen key (J).

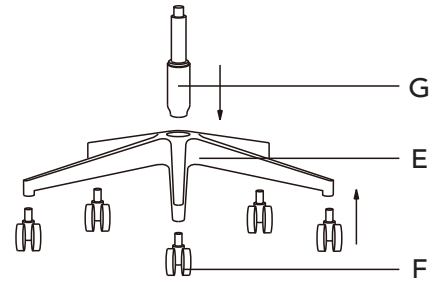




Song Mid Back Upholstered Seat - S140  
 Song High Back Upholstered Seat - S145

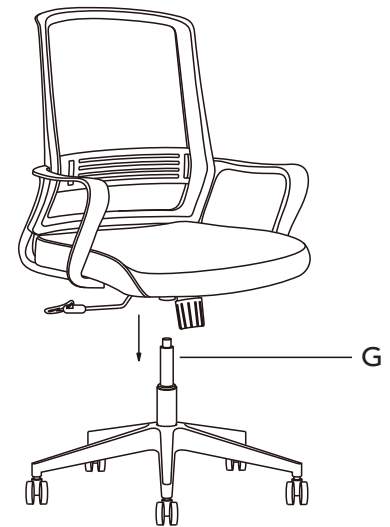
### Step 4 - Insert gaslift and casters into base

Push the five casters (F) into the holes at the end of the legs of the base (E). Push the wide side of the gaslift (G) into the center hole of the base (E).



### Step 5 - Insert gaslift into control

Position the upper half of the chair over the base and insert the gaslift (G) into the hole on the control (C).



### Step 6 - Sit in chair

Sit in the chair to ensure the connection between the gaslift and control is secure.

### Additional step for High Back S145

### Step 7 - Assemble headrest

Unscrew the two headrest screws (N) from the headrest (L) and headrest clip (M) using a philips head screwdriver. Rest headrest (L) on the top of the backrest (A). Line up the tab on the inside of the backrest (A) with the notch in the headrest clip (M). Secure headrest clip (M) to headrest (L) with the two headrest screws (N) using a phillips head screwdriver.

