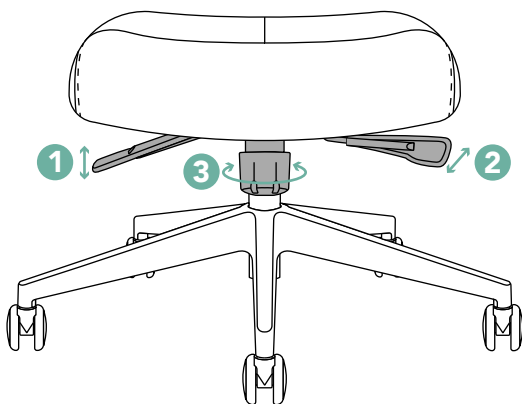


Alto

A1C - Four position back tilt control user guide



- 1** Seat height adjustment – Adjust the seat height by lifting your weight out of the chair and pulling up on the right hand paddle. Proper seat height is realized when the top of your legs are somewhat parallel to the floor.
- 2** Back lock adjustment (four position) – Push the left hand paddle forward to disengage lock then position seat to your desired position. Push the lever back to engage back lock.
- 3** Back/recline tension adjustment – Rotate knob clockwise (right) to increase tilt tension. Rotate knob counterclockwise (left) to decrease tilt tension.

sinfonia

